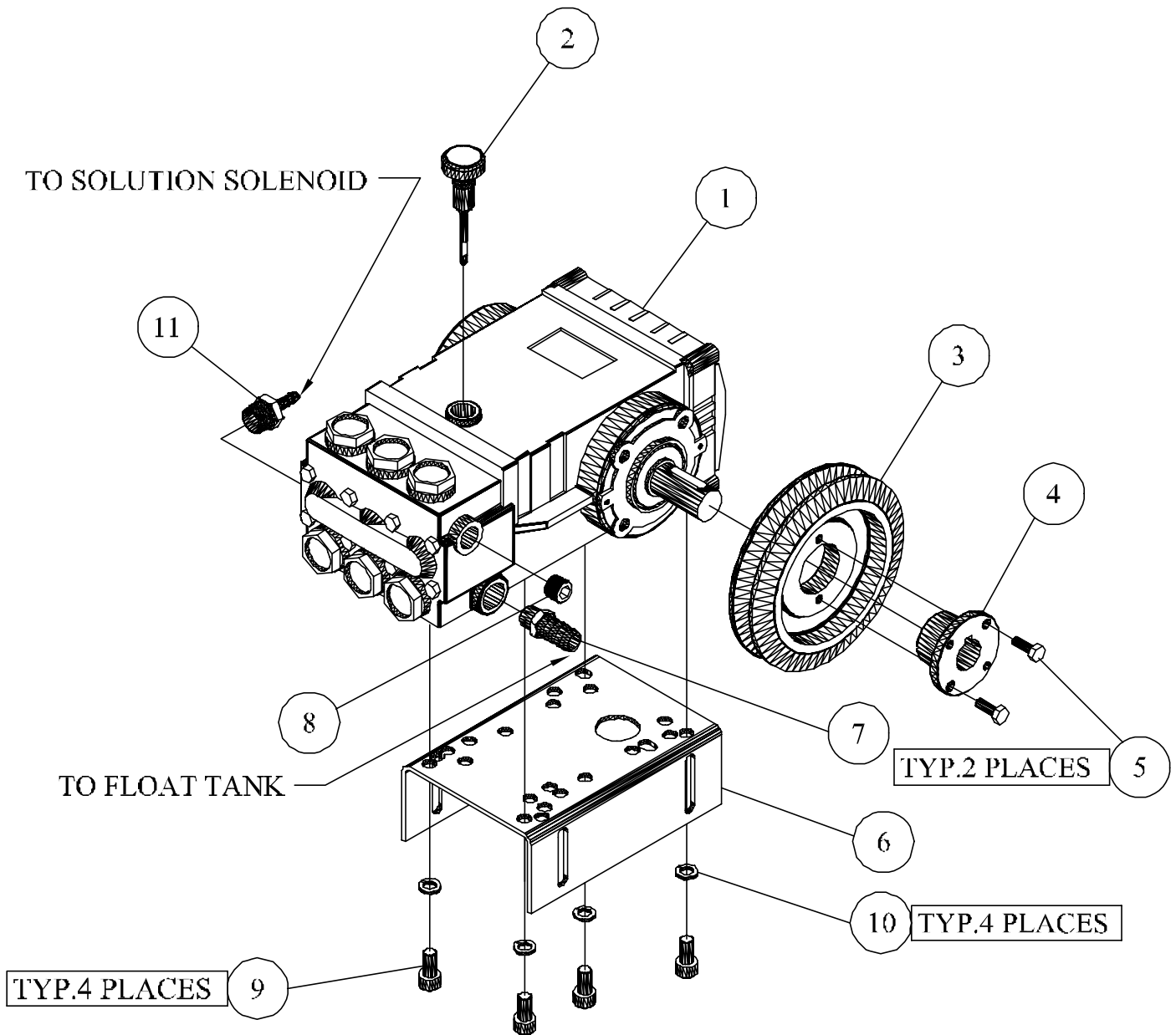


JENNY PRODUCTS INC.  
 1550-C, GES, 208-230/60 1, N/C., LWC, ELECT-IGN  
 &  
 208-575/60/3

<b>1550-C, GES, N/C, LWC</b>			
<b>208-230/60/1PH &amp; 208-575/60/3PH</b>			
Notes: Figure 20-(Common Parts)		<b>PARTS LIST</b>	
Electrical Dia. File: Jw 303			
w/ 3PH Jw 305			
<b>ITEM NO.</b>	<b>DESCRIPTION</b>	<b>QTY.</b>	<b>PART NO.</b>
1	CHASSIS, MODULE, MOTOR-PUMP, GES, GES, LES	1	JD8500
2	CHASSIS, MODULE, COIL, STL, PNTD, B-SIZE	1	JD8502
3	CASING, COIL, STEEL, PAINTED, 2040-C, B-SIZE	1	JD8505
4	LEGS, STATIONARY, STEEL, PAINTED, GES	4	JD8507
5	LEG, ADJUSTABLE, FRONT, STEEL, PAINTED, GES	1	JD8508
6	LEG, ADJUSTABLE, REAR, STEEL, PAINTED, GES	1	JD8509
7	PANEL, SUPPORT, COVER, REAR, STEEL, PNTD, GES	1	JD8510
8	PANEL, SIDE, MODULE, CHASSIS, MTR-PMP, ST, GES	1	JD8515
9	BRACKET, SUPPORT, BURNER, ST, 1550-C, GES, SIZE-B	1	JD8518
10	COVER, SS, ASSY, NEW, GES	1	JD8523
11	COVER, MACHINE, SS, GES,	1	JD8516
12	MOLDING, RUBBER, FOAM, ADHESIVE, 1/2WX1/8T	1	JD3782-B
13	SCREW, PHILLIPS, HEAD, "N", COVER	10	JP7733
14	RETAINER, SCREW, PHILLIPS, HEAD, "N"	10	JP7733-02
15	SHIELD, HEAT, BURNER, ST, PAINTED, 2040, GES, SIZE-B	1	JD8521
16	INSULATION, CERAMIC, 1X34X58, 6#	1	JD3181
*17-A	MTR, 5HP, 230/60/1, 1725 RPM, TEFC, F2	1	JB3012
*17-B	MTR, 5HP, 208/60/1, 1725 RPM, TEFC, F2	1	JB3012-B
*17-C	MTR 5HP, 230-460/60/3, 1725 RPM, TEFC, F2	1	JB3013
*17-D	MTR, 5HP, 575/60/3, 1725 RPM, TEFC, F2	1	JB3014
18ASSY SEE FIG 1-5	TANK,FLOAT,ASSY,W/FITTINGS,1550-C,GES	1	JD8245-T
19	BAFFLE, TANK, FLOAT, REMOVABLE	1	JP3385-08
20	ADAPTER, EXPANDING, BRASS, 1/2MX1/2F	1	JD6224-04
21	NIPPLE, BRASS, 1/2NPTX3LONG	1	JD3094-02
22	ELBOW, FEMALE, BRASS, FORGED, 1/2NPT	1	JD 692-02
23	CONNECTOR, BRASS, 3/4 GARDEN HOSE X 1/2NPTM, SWIV	1	JD7142
24	WASHER, STRAINER, MESH, WIRE, BRASS, #30	2	JD 809
25	PULLEY, CI, SG, TH, BK47H, 3.7PDA, 4.1PDB	1	JD3904-42
26	BUSHING, PULLEY, TAPERED, 1-1/8"BORE	1	JD3915-04
27	CONNECTOR, RELIEF, STRAIN, 5/8-3/4, 3/4NPTM	1	JD1687-17
*28-A	WIRE, SO, CPE, BLACK, 10/3, 1PH	2	JE 446
*28-B	WIRE, SO, CPE, BLACK, 12/4, 3PH	1	JE 443
29	CONNECTOR, WIRE, CRIMP ON, 6-12GAUGE	3	JD3952-B
30	SENSOR, IGNITER, W/MT-BRKT, & HARDWARE, 60"LD	1	JP7694-D
31	CLAMP, HOSE, NYLON, BLACK, .406/.468 DIA.	1	JD7859-A
32ASSY SEE FIG. 20-2	SWITCH, PRESSURE, W/BRACKET, WELDED	1	JP7731
33ASSY SEE FIG 1-3	MANIFOLD, FITTINGS, VALVE, 1550-C, ASSY, GES	1	JD8238
34	BELT, VEE, COG, BX41	1	JD3959-06
35ASSY SEE FIG. 20-1	VALVE, SOLENOID, SOLUTION, 24V, 1/4NPT	1	JD2162-F
36	CLAMP, SLEEVE, PLASTIC, 3/8 I.D.	4	JD2759
37	HOSE, HYD, 3K, PSI, 31" L, 3/8NPTM, 90D-3/8 NPTM	1	JD7893
38ASSY SEE FIG 1-7	GUN, SCH 80, N/C, W/O SWIVEL, ASSY, 3/8"		JP4261-H
39	HOSE, RUBBER, GARDEN, 5/8"	1	JL 146
40	HOSE, COMBINATION, JENNY, 3/8 X 50'	1	JD7624
41ASSY SEE FIG 1-1	PUMP, MOUNTING & FITTINGS, ASSY, 1550, GES, GEN	1	JD8325-A
	OIL,PUMP,SYNTHETIC,HIGH-PERFORMANCE,1 QT	1	JD7999-A
	OIL,PUMP,SYNTHETIC,HIGH-PERFORMANCE,1 PT	1	JD7999-B
42ASSY SEE FIG 1-4	MANIFOLD, BURNER, INLET, ASSY, GES, LES	1	JP5927-J
*43-A ASSY SEE FIG 1-2	BURNER,GAS,NATURAL,ASSY,1560,1000C,GES	1	JP5927-A
*43-B ASSY SEE FIG 1-2	BURNER,GAS,LP,ASSY,1560,LES	1	JP5944-A

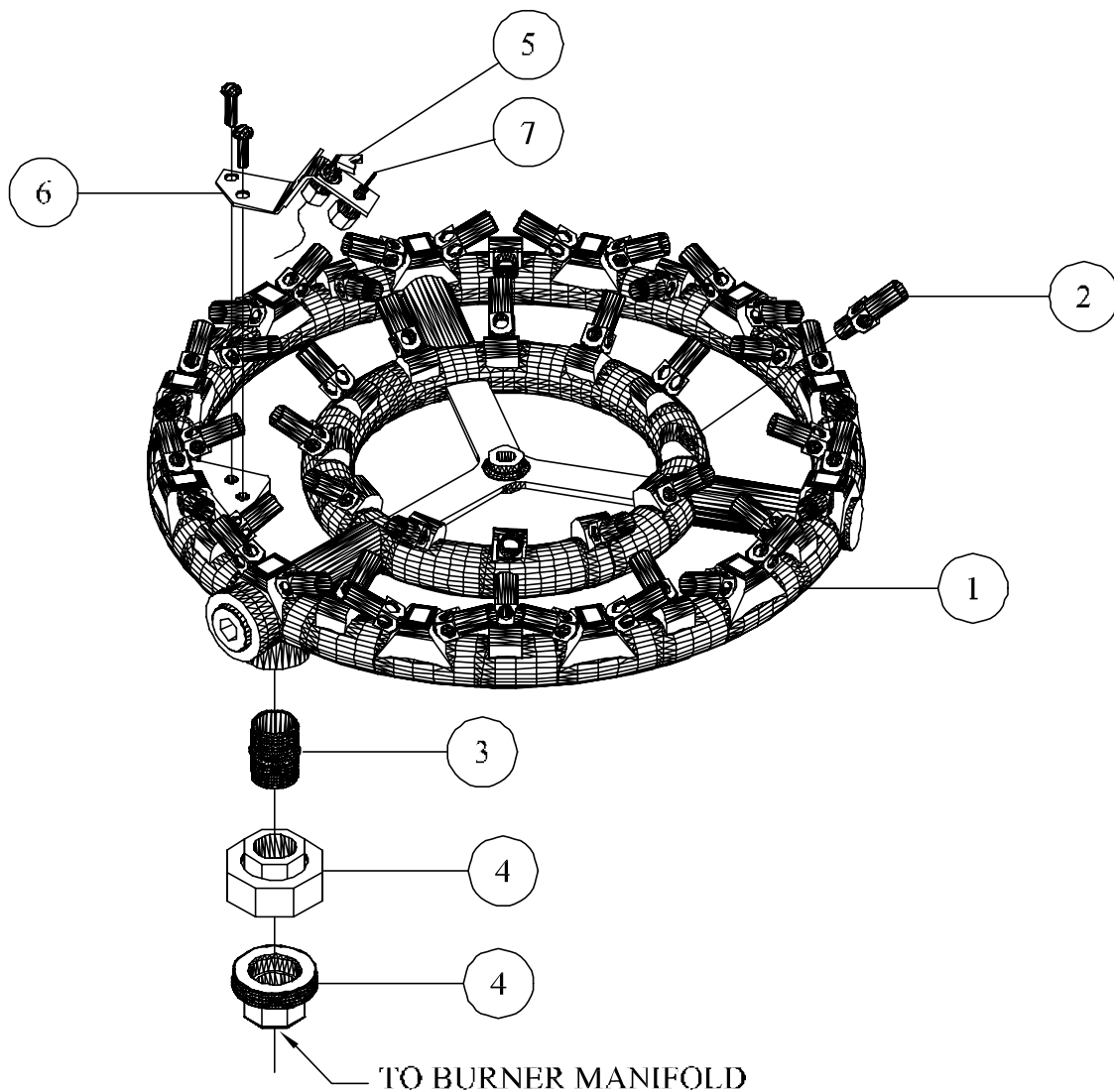
44	ASSY SEE FIG 1-6	BOX, JCT, PANEL, FRONT, 230-575/3PH, 30A, GAS	1	JE2005
45	ASSY SEE FIG 1-8	PLATE, COVER, PANEL, CONT, BOX, CMB, GES	1	JD8513
46		HOSE, HYD, 3K PSI, 44" LONG, 3/8NPTM, 3/8NPTM	1	JD7874
47		NOZZLE, SPRAY, PSI, SS, QCK CON, 0 DEG, O#8.0	1	JD7755-08
48		NOZZLE, SPRAY, PSI, SS, QCK CON, 15 DEG, O#8.0	1	JD7756-08
49		NOZZLE, SPRAY, PSI, SS, QCK CON, 25 DEG, O#8.0	1	JD7757-08
50		NOZZLE, SPRAY, PSI, SS, QCK, CON, 40 DEG, O#8.0	1	JD7758-08
51	ASSY SEE FIG 1-9	COMBINATION, MACHINE, BYPASS, HOSE, FITTING, ASSY	1	
52		CLAMP, GEAR, WORM, SS, 7/32 TO 5/8 DIA.	2	JD3068
53		COIL, GAS, FIRED, 1/2" PIPE, SCH40	1	JP5909
54		TEE, FEMALE, STEEL, PLATED, 1/2NPT	1	JD3734-01
55		BUSHING, REDUCER, HEX, STEEL, PLATED, 1/2X3/8	2	JD2599
56		ELBOW, REDUCER, ST, PLTD, 90DEG, FEM, 1/2X3/8	1	JD7847
57		THERMOSTAT, IMMERSION, SP, ST, NC, 340 DEG F	1	JD7137-A
58		RING, CASING, COIL, SS, 18-7/8ODX9-15/16ID	1	JD3256
59		LUG, TERMINAL, COPPER, 3/16BOLT, 6-14GAUGE	1	JD6152
60		CLAMP, WIRE, IGNITION, STAND OFF	1	JD7001
61		GROMMET, RUBBER, BLACK, 5/8" I.D.	2	JD3385
62		GROMMET, RUBBER, BLACK, 7/16" I.D.	6	JD3385-01
63		CLAMP, CABLE, NYLON, 1/4"	2	JD1529
64		GROMMET, RUBBER, BLACK, 1-1/2" I.D.	3	JP 675
65		STRAINER, CHEMICAL, BRASS, 1/4"HOSEBARB	1	JD7140-A
66		TUBING, PVC, CLEAR, 3/8ODX1/4ID	7.1	JD3087
67		SCREW, FLANGE, HEX, SERR, ST, PL, 1/4-20X1/2	22	JD7904-A
68		BOLT, ELEVATOR, STEEL, PLTD, 3/8X2-1/2, 1"HD	2	JD7906-G
69		SCREW, SLF TAP, PHILLIPS, ST, PL, 8-32X3/8	12	JD3043
70		SCREW, FLANGE, HEX, SERR, ST, PL, 5/16-18X1/2	2	JD7905
71		SCREW, FLANGE, HEX, SERR, ST, PL, 3/8-16X3/4	34	JD7906-A
72		NUT, LOCK, FLANGE, HEX, SERR, ST, PL, 3/8-16	12	JD7774-F
73		SCREW, CAP, HEX HD, ST, PL, FLT, 3/8-16X2-1/4"	2	JD7035
74		NUT, LOCK, FLANGE, HEX, SERR, ST, PL, 1/4-20	8	JD7774-D
75		CLAMP, HOSE, NYLON, BLACK, .750/.875DIA	2	JD7859-G
76		SCREW, SLF DRL, PHILLIP, ST, PLTD, #8X1/2	4	JD6050
77		SCREW, SLF DRL, HEX WASHER, PLTD, #10x5/8	7	JD7074-A
78		SCREW, CARRIAGE, GR5, ST, PL, 3/8X6	2	JD7798
79		SCREW, CAP, HEX HD, ST, PL, 3/8-16X1-1/4"	1	JD 514
80		WASHER, LOCK, SPLIT, STEEL, PLATED, 3/8"	1	JD 613
81		RECEPTICAL, CLIP-ON, STEEL, DACROTIZED	10	JP7733-01
82		PLATE, NAME, ALUM, PRINT, BLACK, 4X4	1	JD3456
83	ASSY SEE FIG 1-10	NOZZLE, STEAM, COMBINATION, FITTING, ASSY	1	
84		TAG, WARNING, WATER TRAP, GAS FIRED UNIT	1	JD7207
85		TAG, WARNING, GAS PRESSURE	1	JD3097
86		CORD, DROP, GFCI, 240V, 30A, 40FT (1PH ONLY)	1	JD7179-F
87		WASHER, FLAT, SS, 3/4 OD X 5/32 ID X 20 GAUGE	16	JP7720-03
88		SCREEN, COVER, MACHINE, ST, PAINTED	2	JP7720-01
89		RIVET, AL, .160-.164 HOLE, .063-.125GRP, 5/32	16	JP7720-02
90		CLAMP, HOSE, GEAR, WORM, SS, 9/16 TO 1-1/16 DIA	4	JD1229-A
91		TUBING, PVC, REINFORCED, 3/8" I.D.	2	JD7575
92		ADAPTER, SWIVEL, FEMALE, STEEL, PLTD, 3/8X3/8	1	JD3719-01
NOT SHOWN		TERMINAL, TONGUE, RING, 3/16HOLE, 18-22GAUGE	1	JD 928
NOT SHOWN		TERMINAL, TONGUE, FORK, #6HOLE, 14-18GAWIRE	2	JD2347
NOT SHOWN		WIRE, SJO, CPE, BLACK, 18/3	5	JE 436
NOT SHOWN		TERMINAL, CONNECT, QUICK, FEM, 0.250, 14/16GA	10	JD1576-01
NOT SHOWN		TERMINAL, CONNECT, QUICK, PIGGY, FEM, 14-16GA	2	JD1576-06
NOT SHOWN		DIVERTER, DRAFT, VERTICAL, 10"	1	JD3018
NOT SHOWN		DECAL, DANGER, WARNING, CAUTION, LARGE	1	JD7239

NOT SHOWN	DECAL, NOTICE, GROUND, 4MILTHK, 5YRWHT	1	JD2344-01
NOT SHOWN	DECAL, NUMBER MODEL, GES 1550-C, BLUE LARGE	1	JD8469
NOT SHOWN	DECAL, PACKED, GROOMED, TESTED	1	JD6013
NOT SHOWN	DECAL, MADE-IN-THE-USA, JENNY	1	JD6211



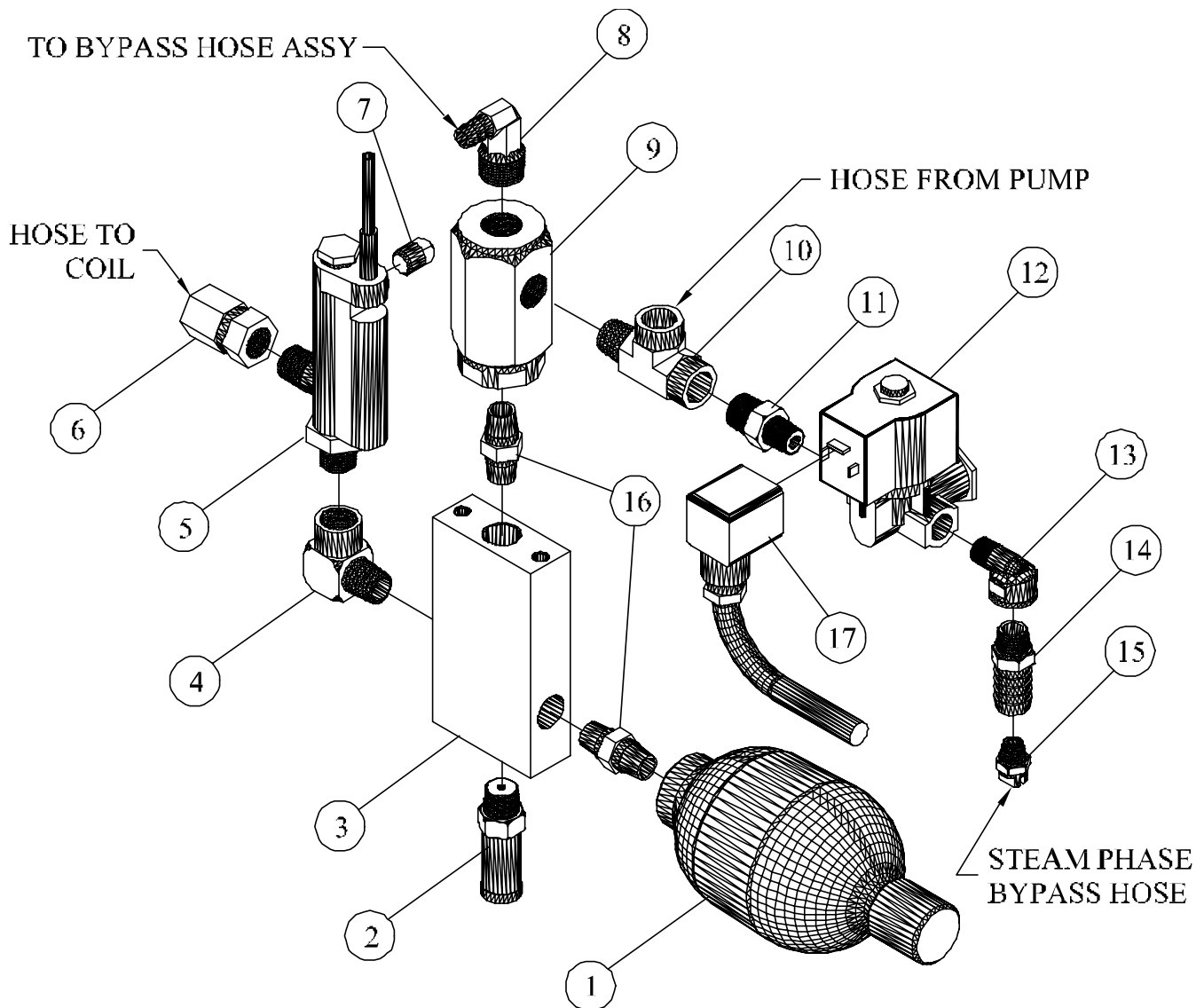
ITEM NO.	QTY.	DESCRIPTION	PART NO.
1	1	PUMP,PLUNGER,TRIPLEX,3000PSI,5.6GPM,GEN	JD7063
2	1	OIL, DIP, STICK, (RECEIVED W/PUMP)	
3	1	PULLEY,CI,SG,TH,BK62H,5.2PDA,5.6PDB	JD3904-14
4	1	BUSHING, PULLEY, TAPERED, 24MM BORE	JD3915
5	2	H.H.B.1/4-20 UNC-3/4 CLASS 5 RECEIVED W/BUSHING	
6	1	PLATE, MOUNTING, PUMP, STEEL, PAINTED	JD8016
7	1	BARB,HOSE,MALE,BRASS,5/8HSX1/2NPT	JD7877
8	1	PLUG, SOCKET, HEX, BRASS, 3/8 NPT	JD7151
9	4	METRIC RECEIVED W/ PUMP	
10	4	WASHER,LOCK,SPLIT,STEEL,PLATED,3/8	JD 613
11	1	BARB, HOSE, MALE, BRASS, 1/4 HS X 1/2 NPTM	JD7826

FIGURE 1-1 (Pump, Mounting, Fitting, JD8325-A, 1550-C, Assy)



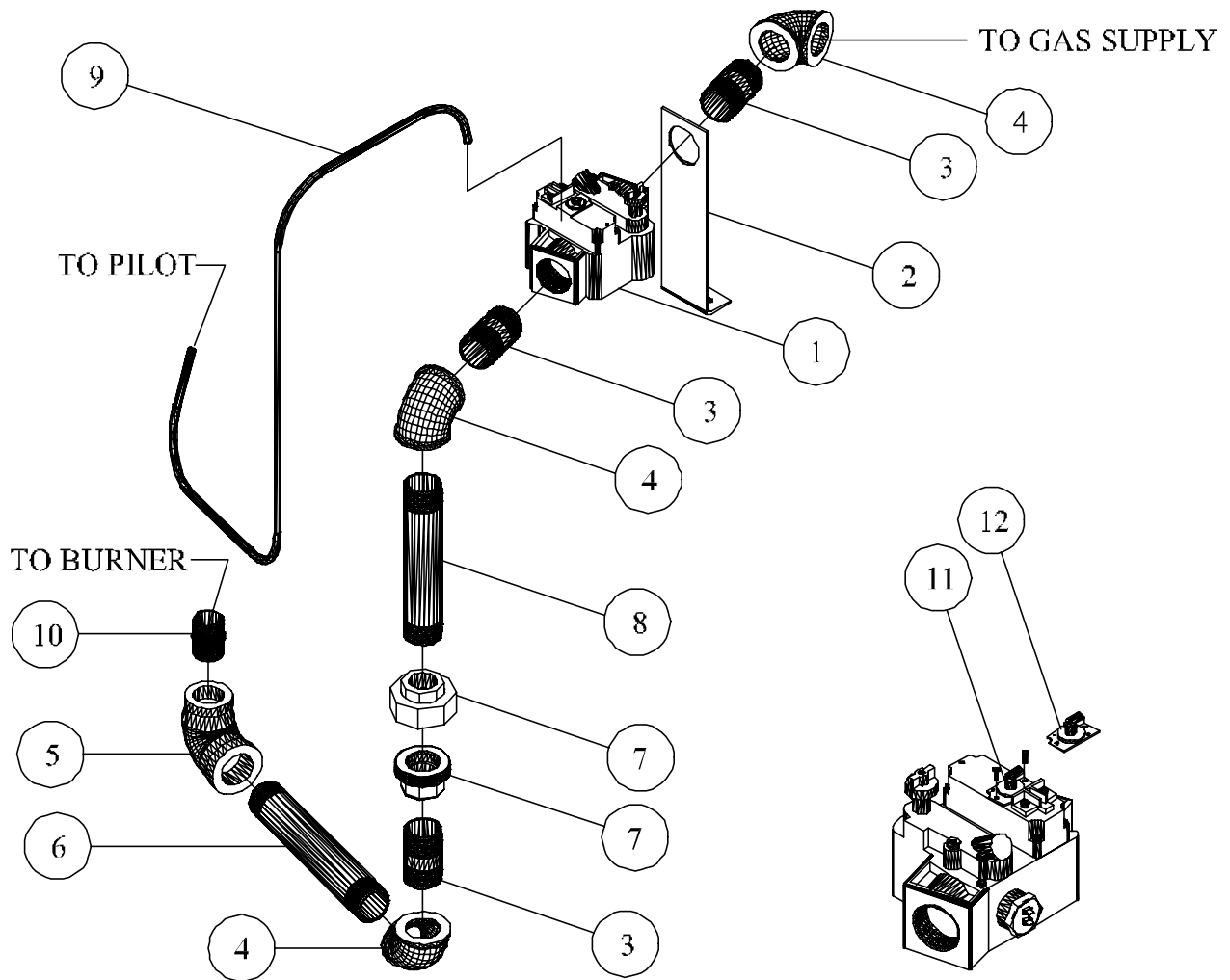
ITEM NO.	QTY.	DESCRIPTION	PART NO.
1-A	1	BURNER,NAT,#640JETS,O#50,X-44	JD3257
1-B	1	BURNER,LP,#640 JETS,0#56,X-44	JD3379-A
2-A	44	JET,BURNER,GAS,NATURAL,BRASS,#50,.070	JD3129
2-B	44	JET,BURNER,GAS,LP,BRASS,#56,.047	JD2360
3	1	NIPPLE, CLOSE, STEEL, SCH40, 3/4"NPT	JD1181
4	1	UNION, FEMALE, MI, 150# BRASS SEAT, 3/4 NPT	JP 742
5-A	1	PILOT, BURNER, NAT, Q314B1019	JD2359-01
5-B	1	PILOT, BURNER, LP, Q314B1019-LP	JD2359-02
6	1	BRACKET, BURNER, PILOT, GES, LES	JD2359-05
7	1	SENSOR, IGNITOR, W/ BRKT & HARDWARE, 60"LEAD	JP7694-D

FIGURE 1-2 (Burner, Gas, JP5927-A(Nat ) & JP5944-A(LP), 1550-C, Ass'y)



ITEM NO.	QTY.	DESCRIPTION	PART NO.
1	1	ACCUMULATOR, BLADDER, 3000#WP,700#, CHARGE	JD7646-G
2	1	VALVE, RELIEF,1200-2400PSI, 160F, 3/8NPTM	JD7048-C
3	1	MANIFOLD, FITTING, STEEL, PLATED, ALL, UNITS	JP7716
4	1	ELBOW, STREET, STEEL, PLATED, 3/8NPT	JD3717-03
5	1	SWITCH, FLOW, SP, ST, NO, 20VA, 3/8NPTM	JD7279
		REPLACEMENT, REED, SWITCH, ASSY W/47" LEADS	JD7279-01
6	1	ADAPTER, SWIVEL, FEMALE, STEEL, PLATED, 3/8 X 3/8	JD3719-01
7	1	PLUG, HEAD, SQUARE, BRASS, 1/4NPT	JD 679-02
8	1	BARB, HOSE, ELBOW, MALE, BRASS, 3/8HS X 1/2NPT	JD7150-01
9	1	VALVE, UNLOADER, FLUI-TROL, C2500	JV2500
10	1	TEE, STREET, STEEL, PLATED, 3/8NPT	JD 860-02
11	1	NIPPLE, HEX, STEEL, PLATED, 1/4NPTM X 3/8NPTM	JD 732-03
12	1	VALVE, SOLENOID, BYPASS, 24V, 1/4NPT	JD3063-E
13	1	ELBOW, REDUCER, BRASS, STREET, 90DEG, 3/8FX1/4M	JD7825
14	1	BARB, HOSE, MALE, BRASS, TAPPED 1/4, 5/8HS X 3/8	JP6898
15	1	NOZZLE,SPRAY,PSI WASH,SS,1/4MEG-2512	JD6193
16	2	NIPPLE, HEX, STEEL, PLATED, 3/8NPT X 3/8 NPT	JD3716-01
17	1	CONNECTOR, SOLENOID, RELIEF, STRAIN, DIN	JD7703

FIGURE 1-3 (Manifold, Valve, Fitting, JD8238, 1550-C, Ass'y )

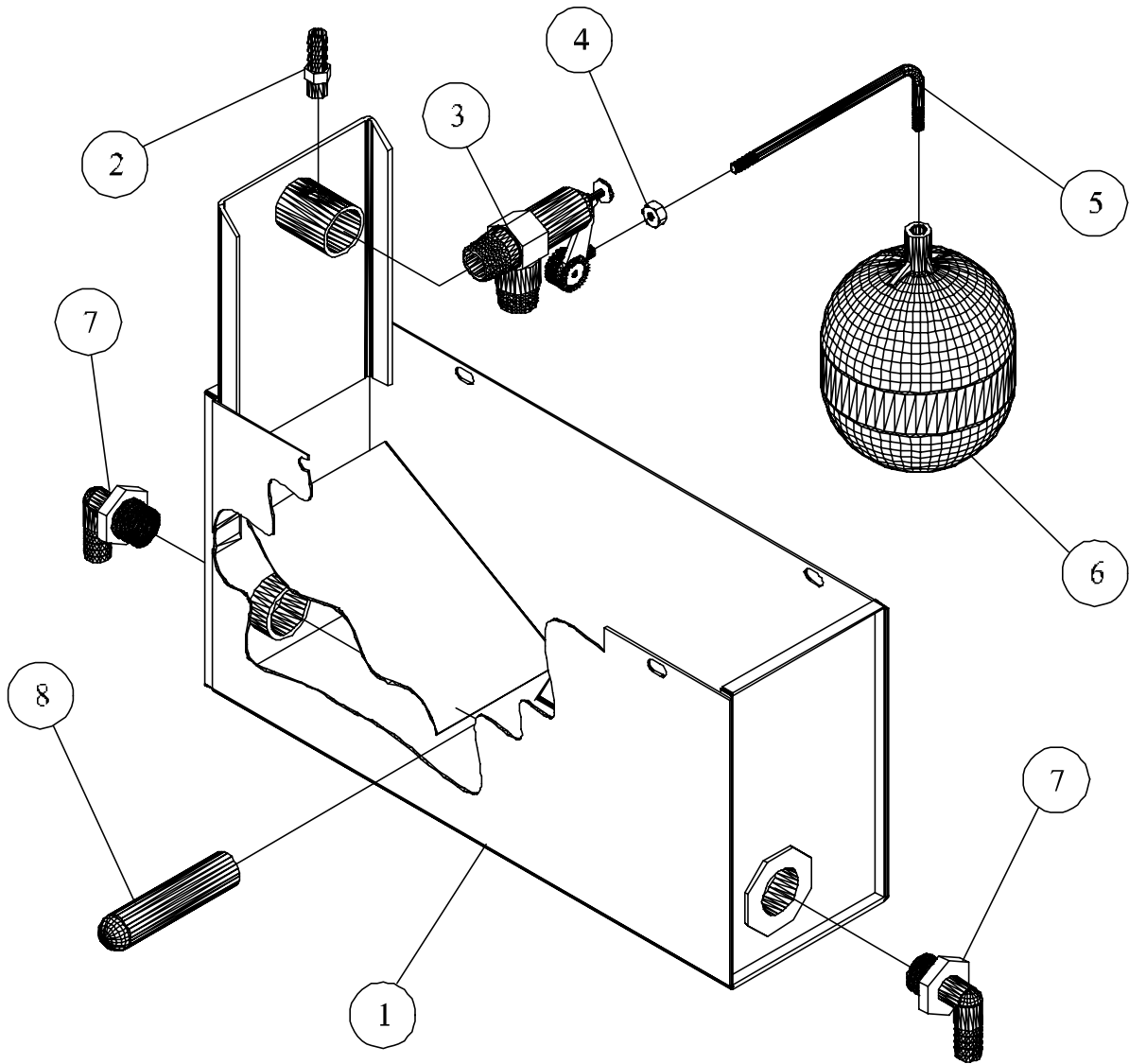


REGULATOR, CONVERSION, NATURAL GAS TO LIQUID PETROLEUM,

ITEM NO.	QTY.	DESCRIPTION	PART NO.
1	1	VALVE, COMBINATION, NAT, 24V, 1", ELECT-IGN	JD3845-J
2	1	BRACKET, MANIFOLD, PAINTED, GES	JP5928-03
3	3	NIPPLE, STEEL, SCH40, 1NPT, X 2" LONG	JD 884
4	3	ELBOW, FEMALE, MI, 150#, 1 NPT	JP2160-02
5	1	ELBOW, FEMALE, REDUCER, MI, 150# 1 X 3/4	JE 883
6	1	NIPPLE, STEEL, SCH40, 1 NPT" X 7"LONG	JD7875
7	1	UNION, FEMALE, MI, 150#, BRASS-IR SEAT, 1" NPT	JD7873
8	1	NIPPLE, STEEL, SCH40, 1" NPT X 6"LONG	JD1304-A
9	1	TUBING, ALUMINUM, 1/4 OD X .032 WALL	JD1820
10	1	NIPPLE, CLOSE, STEEL, SCH40, 3/4 NPT	JD1181
11	1	REGULATOR, CONVERSION, LP. TO NAT. ROBERT SHW	JD2366-C
12	1	REGULATOR, CONVERTER, NAT. TO LP. ROBERT SHW	JD2366-04

FIGURE 1-4 (Manifold, Burner, Inlet, JP5927-J, 1550-C, Ass'y)





ITEM NO.	QTY.	DESCRIPTION	PART NO.
1	1	TANK, FLOAT, SS, BOLT-ON-ASSY-JB	JD8015
2	1	BARB HOSE 1/4 HOSE X 1/8 NPT	JD6132
3	1	VALVE, FLOAT, BRASS, 60PSI, 1/2" NPTM	JD2988-B
4	1	NUT, HEX, STEEL, PLATED, 1/4-20	JD 791
5	1	ROD, FLOAT, BENT, BRASS, 1/4 X 5-5/8 LONG	JD1416-02
6	1	BALL, FLOAT, PLASTIC, BLACK	JD1416-01
7	2	ELBOW, HOSE, MALE, PLASTIC, 5/8HS X 3/4NPT	JD3663
8	1	STRAINER, WATER, SS, 30MESH, 47/64 O.D. X 3-1/8 LG	JD3843-B

FIGURE 1-5 (Tank, Float, Fitting, JD8245-T, 1550-C, Ass'y)

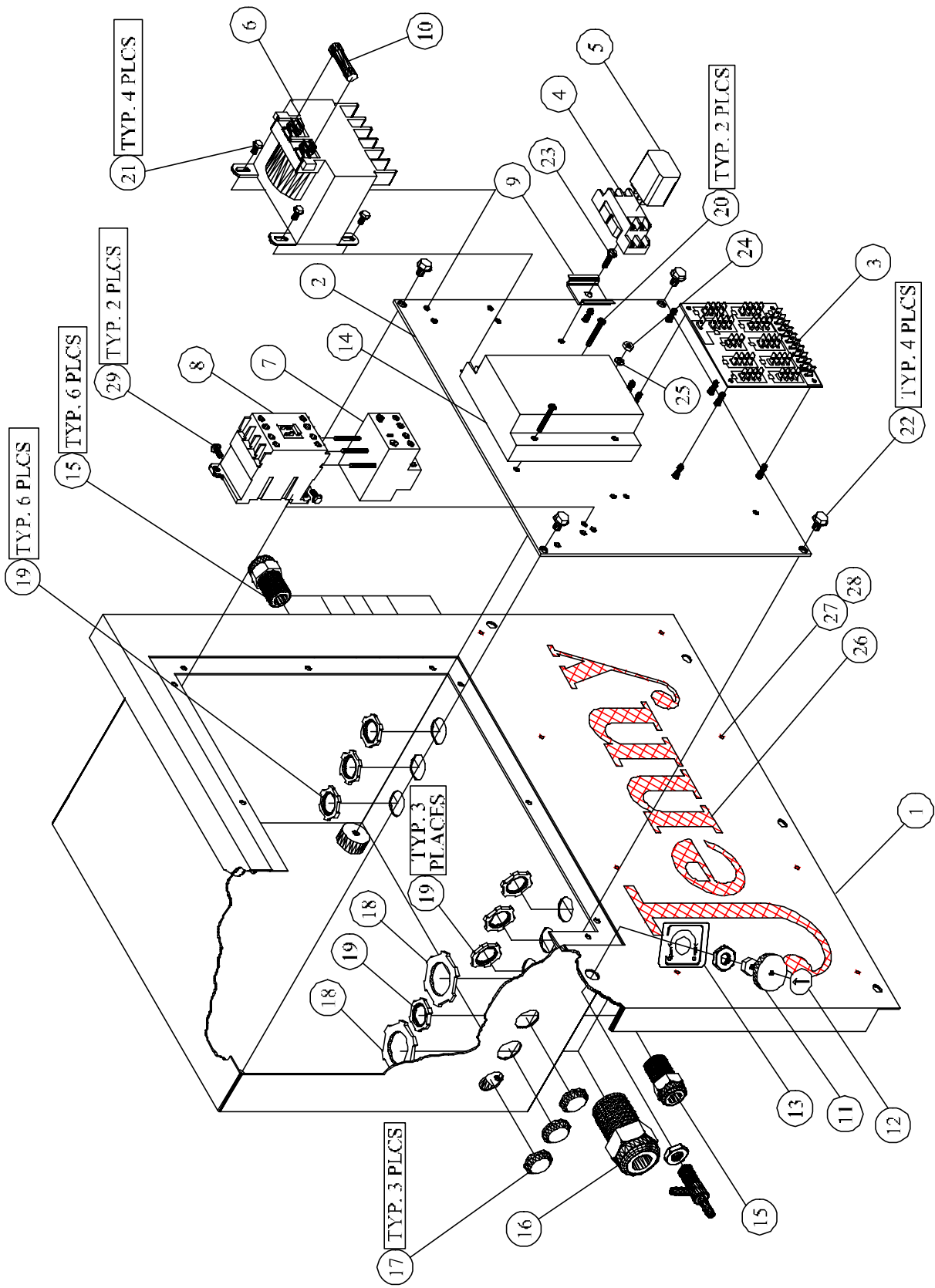
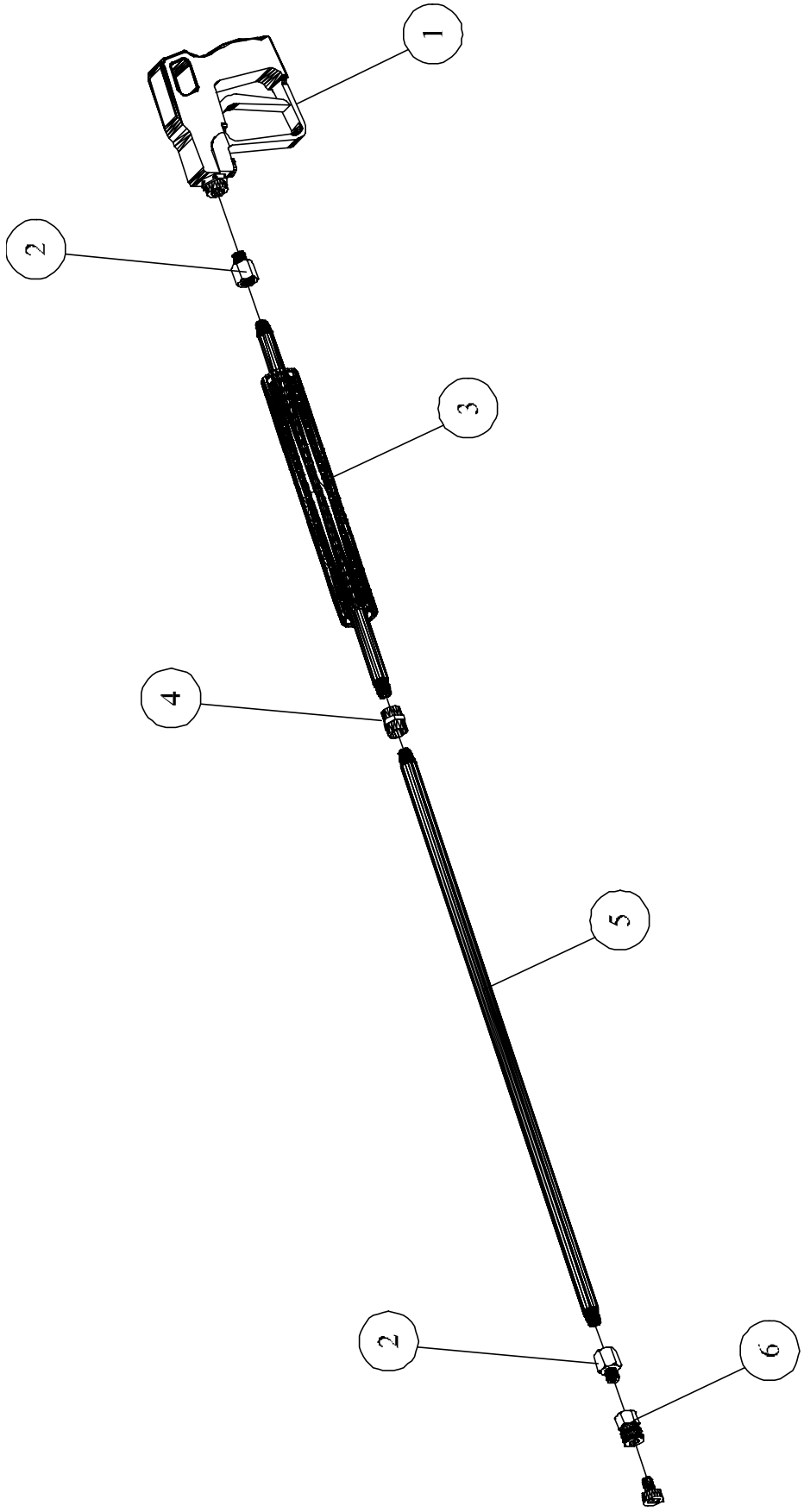


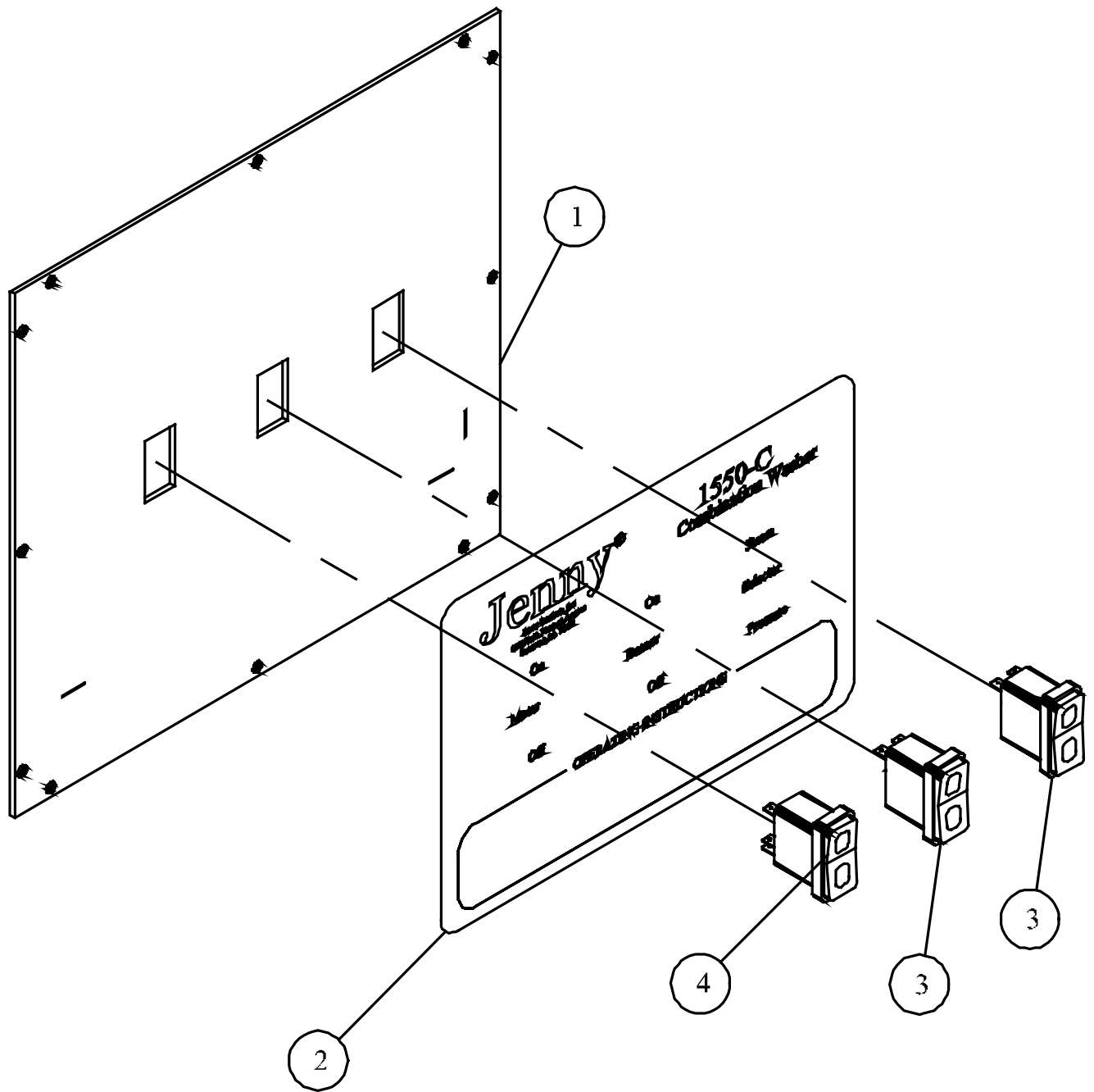
FIGURE 1-6 (Box: Junction, Panel, Front, 208-575/3PH & 208-230/60/1PH,30A Gas, 1550-C, JE2005)

<b>ITEM NO.</b>	<b>DESCRIPTION</b>	<b>QTY.</b>	<b>PART NO.</b>
1	PANEL,CONTROL,BOX,JUNCTION,STL,PNTD,HNG	1	JD8511
2	PLATE,MOUNTING,PANEL,CONT,BOX,JCT,ST,HNG	1	JD8512
3	BOARD,CIRCUIT,PRINTED,ALL MACHINES	1	JB5000
4	BASE,RELAY,DP	1	JD7819-A
5	RELAY,DP,DT,24VAC	1	JD7819
6-A	TRNSFRMR,CTRL,OPN,100VA,120-460VP,24VS	1	JD2868
6-B	TRNSFRMR,CTRL,OPN,100VA,600VP,24VS	1	JD3987-13
7-A	RELAY,OVERLOAD,THERMAL,PLUG-IN,24-32 AMPS,1PH (BEFORE 5-8-01)	1	JD7651-15
7-B	RELAY,OVERLOAD,THERMAL,PLUG-IN 13-19 AMPS,230/3PH (BEFORE 5-1-01)	1	JD7651-13
7-C	RELAY,OVERLOAD,HERMAL,PLUG-IN 6-8.5 AMPS,460/3PH (BEFORE 5-1-01)	1	JD7651-10
7-D	RELAY,OVERLOAD,THERMAL,PLUG-IN 4.5-6.5 A,575V (BEFORE 5-1-01)	1	JD7651-09
7-F	RELAY,OVERLOAD,THERMAL,PLUG-IN,18-30A (AFTER 5-8-01)	1	JD7651-36
7-G	RELAY,OVERLOAD,THERMAL,PLUG-IN,16-24A (AFTER 5-1-01)	1	JD7651-35
7-H	RELAY,OVERLOAD,THERMAL,PLUG-IN,6-10A (AFTER 5-1-01)	1	JD7651-33
7-I	RELAY,OVERLOAD,THERMAL,PLUG-IN,4-6A (AFTER 5-1-01)	1	JD7651-32
8-A	CONTACTOR,DP,OP,3P,30A,24V,W/AUX CONTACT (BEFORE 5-8-01)	1	JD7651-B
8-B	STARTER,DP,OP,3P,50A,24V,CA7-SERIES (AFTER 5-8-01)	1	JD7651-V
9	RAIL,DIN,STL,PLTD,TAIL,DOVE,1 3/8X5/16	0.16	JD7768-A
10	FUSE,ELEMENT,DUAL,DELAY,TIME,250V,6AMP	1	JD3107-11
11	VALVE,NEEDLE,SOLUTION,BRASS,1/4IDHS-BARB	1	JD6248-A
12	DECAL,INDICATOR,HANDLE,VALVE	1	JD7143
13	DECAL,SOLUTION,METERING,VALVE	1	JD7821
14	CONTROL,IGNITION,UNIT,LOCKOUT,SP745	1	JP7694-A
15	CONNECTOR,RELIEF,STRAIN,1/4-3/8,1/2 NPTM	6	JD1687-06
16	CONNECTOR,RELIEF,STRAIN,.5/8-3/4,3/4NPTM	2	JD1687-17
17	PLUG,HOLE,PLASTIC,BLACK,7/8"	3	JD3856
18	NUT,LOCK,CONDUIT,STEEL,PLATED,3/4"	2	JD7728
19	NUT,LOCK,CONDUIT,STEEL,PLATED,1/2"	6	JP 809
20	SCREW,MACHINE,PHILLIP	2	JD838
21	SCREW,FLANGE,HEX,SERR,ST,PL,8-32x3/8	6	JD7901-B
22	SCREW,FLANGE,HEX,SERR,ST,PL,1/4-20X3/8	4	JD7904
23	SCREW,SLF DRL,HEX WASHER,PLTD,#10x5/8	1	JD7074-A
24	NUT,HEX,STEEL,PLATED,10-32	1	JD 781
25	WASHER,LOCK,SPLIT,STEEL,PLATED,#10	1	JD 624
26	SCREEN,COVER,MACHINE,ST,PAINTED	1	JD7720-01
27	RIVET,AL,.160-.164 HOLE,.063-.125 GRP,5/32	8	JD7720-02
28	WASHER,FLAT,SS,3/4 O.D.X 5/32 I.D. X 20 GAUGE	8	JD7720-03
29	SCREW,FLANGE,HEX,SERR,STL,PLATED,8-32 X 5/8 L	2	JD7901-D



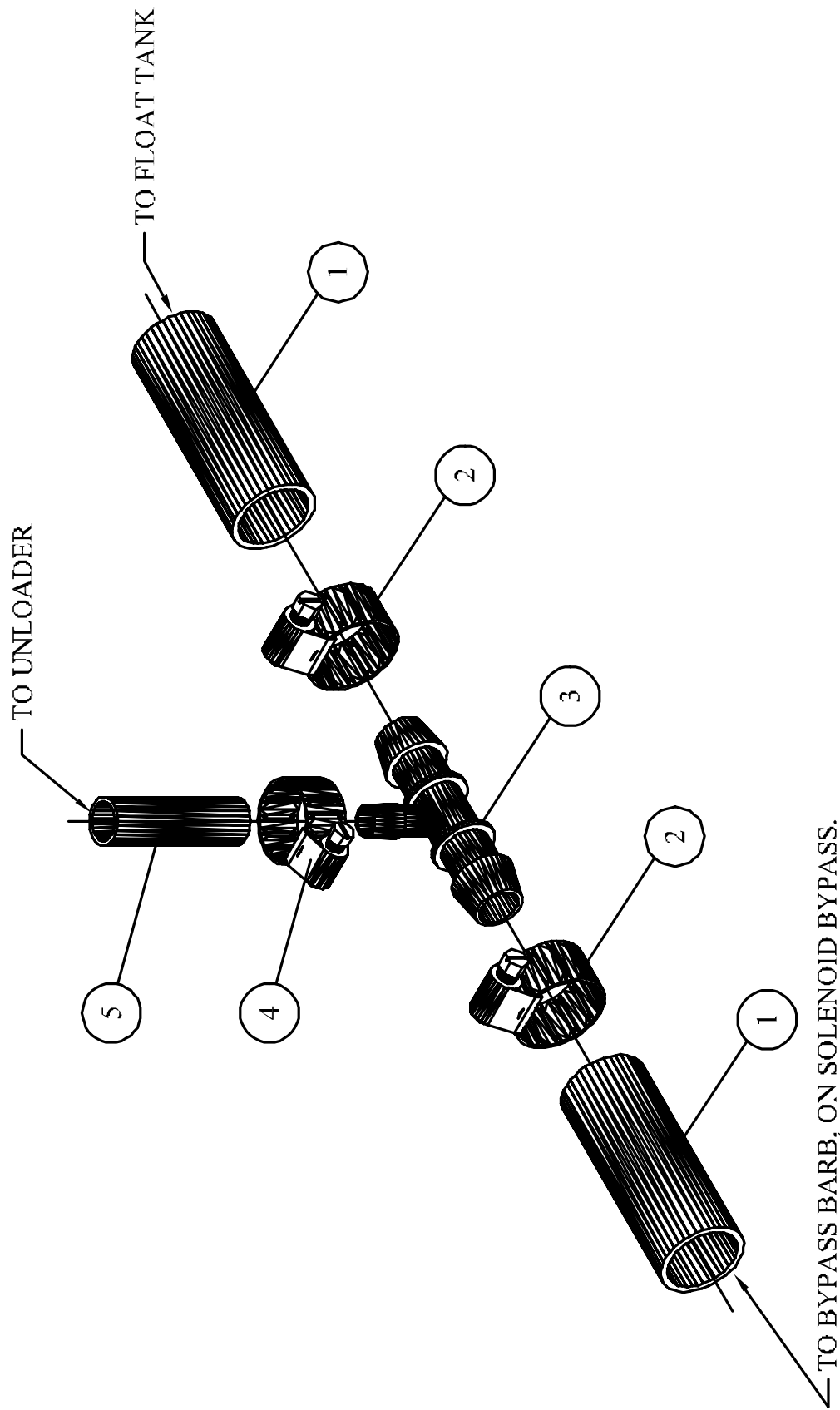
ITEM NO.	QTY.	DESCRIPTION	PART NO.
1	1	GUN, TRIGGER, 3000PSI, 8GPM, 320F	JD6068-B
2	2	ADAPTER, EXPANDING, STEEL, PLATED, 1/4M X 3/8F	JD6224
3	1	HANDLE, PERFORATED, SCH80, STEEL, ASSY, 3/8	JE 280-E
4	1	COUPLING, HEX, STEEL, PLATED, 3/8NPT X 3/8NPT	JD 907-04
5	1	NIPPLE, STEEL, SCH80, 3/8NPT X 28 LONG	JD 963
6	1	SOCKET, QUICK, COUPLING, BRASS, 1/4M X 3/8F	JD3102-02

FIGURE 1-7 (GUN, JP4261-H SCH80, N/C, W/O, SWIVEL, ASSY, 3/8")



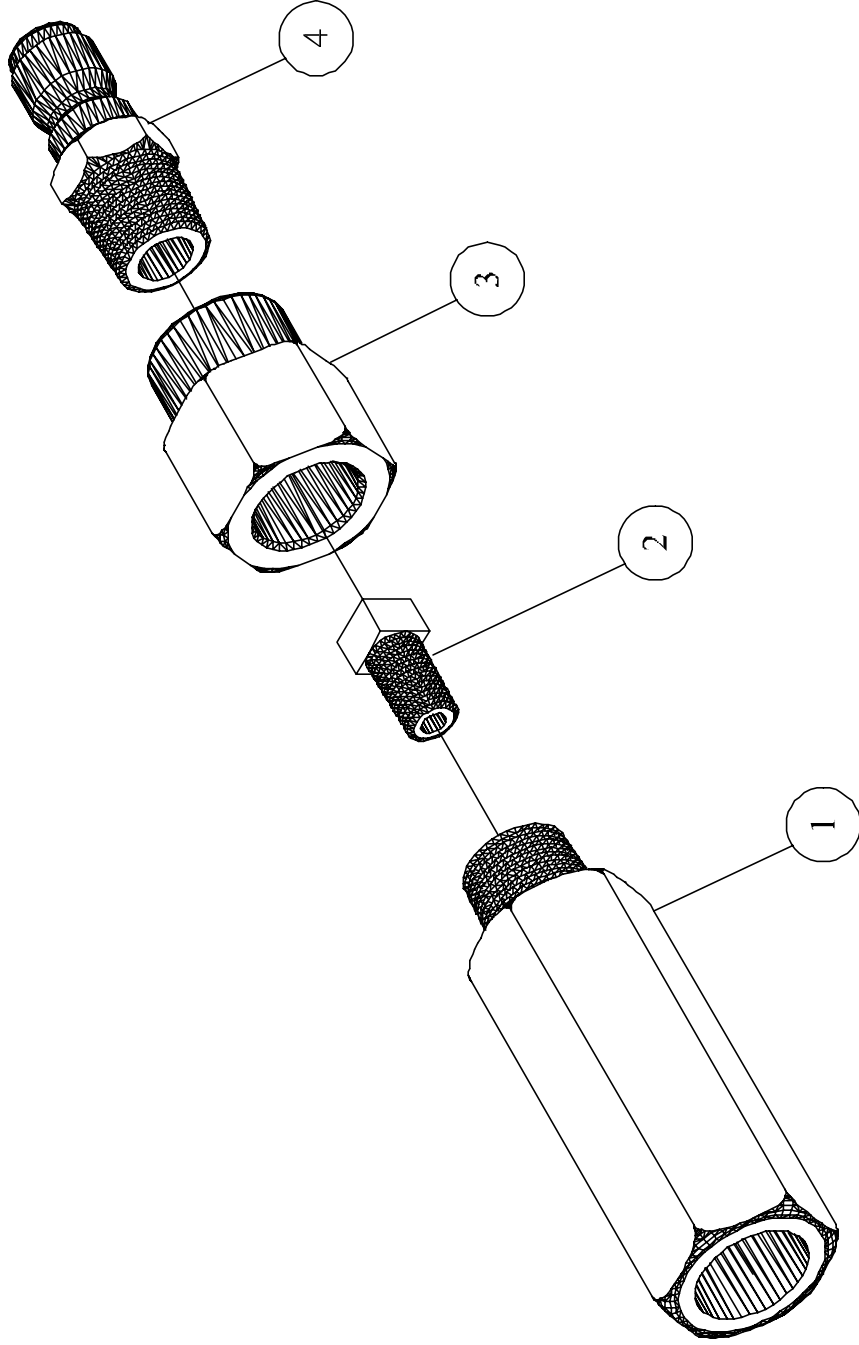
ITEM NO.	QTY.	DESCRIPTION	PART NO.
1	1	PLATE, COVER, PANEL, CONT, BOX, JUNC., CMB, GES	JD8514
2	1	DECAL, PANEL, INSTRUCTION, 1550-C, GES	JD8419
3	2	SWITCH, ROCKER, SP, ST, 10A, 24V, LED, LIGHT	JE1004
4	1	SWITCH, ROCKER, DP, DT, OFF-ON-MOM-10A, 24V	JE1006

FIGURE 1-8(Pancl, Instruction, JD8514, 1550-C, Ass'y)



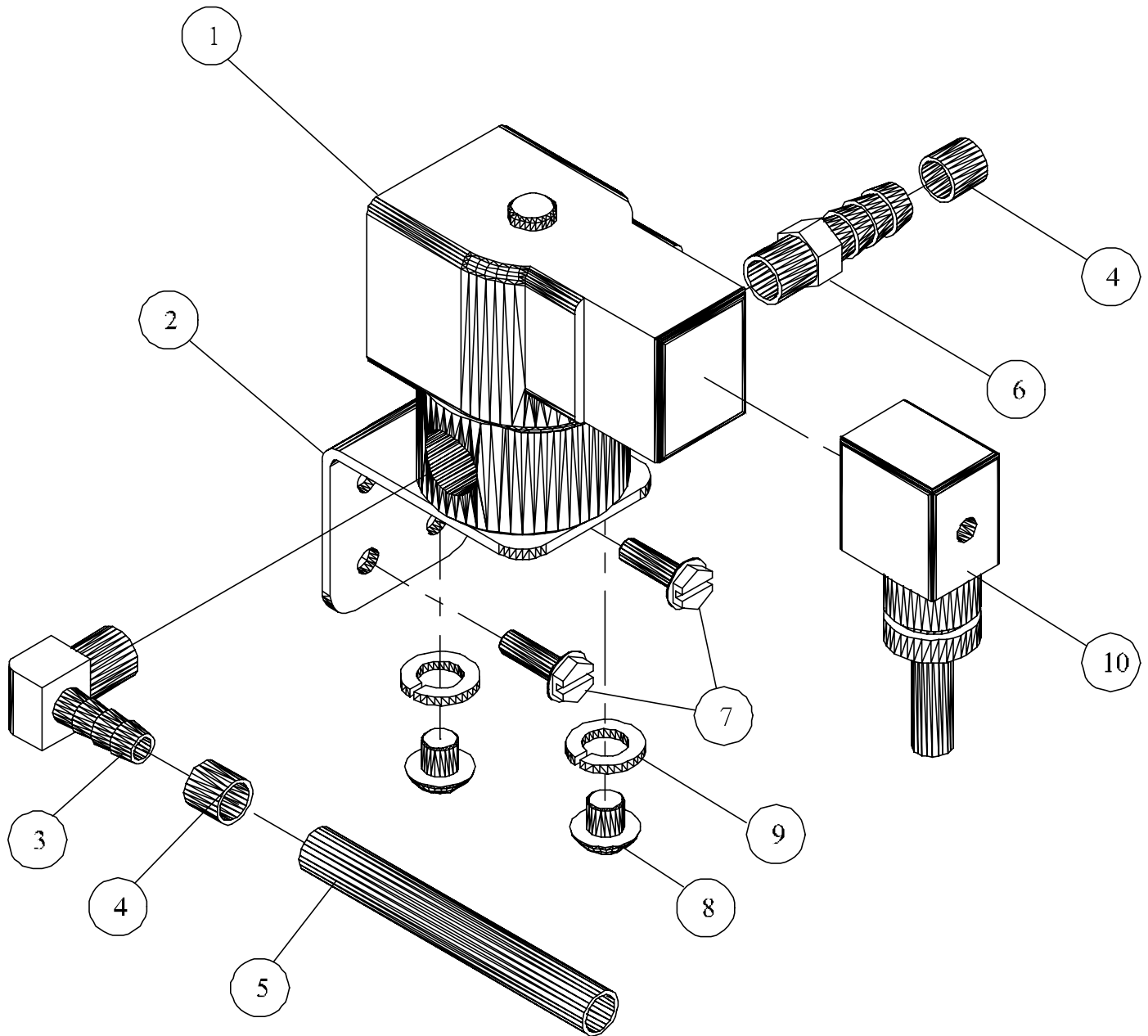
ITEM NO.	QTY.	DESCRIPTION	PART NO.
1	2.5'	HOSE, RUBBER, GARDEN, 5/8"	JL 146
2	2	CLAMP, HOSE, GEAR, WORM, SS, 9/16 TO 1-1/16 DIA	JD1229-A
3	1	TEE, BARB, PLASTIC, 3/8 X 5/8 X 5/8	JD7823
4	1	CLAMP, GEAR, WORM, SS, 7/32 TO 5/8 DIAMETER	JD3068
5	1.2'	TUBING, REINFORCED, PVC, 3/8 I.D.	JD7575

FIGURE 1-9 (COMBINATION, MACHINE, BYPASS, HOSE, FITTING, 1550-C, ASSY)



ITEM NO.	QTY.	DESCRIPTION	PART NO.
1	1	NOZZLE, STEAM, 3/4 HEX, STEEL, PLATED, 3/8 X 3/8	JP3308-B
2	1	ORIFICE, STEAM, SS, #48	JP3175-10
3	1	COUPLING, HEX, BRASS, 3/8NPTF X 1/4 NPTF	JD 920-01
4	1	PLUG QUICK, COUPLING, BRASS, 1/4" NPTM	JD3103-04

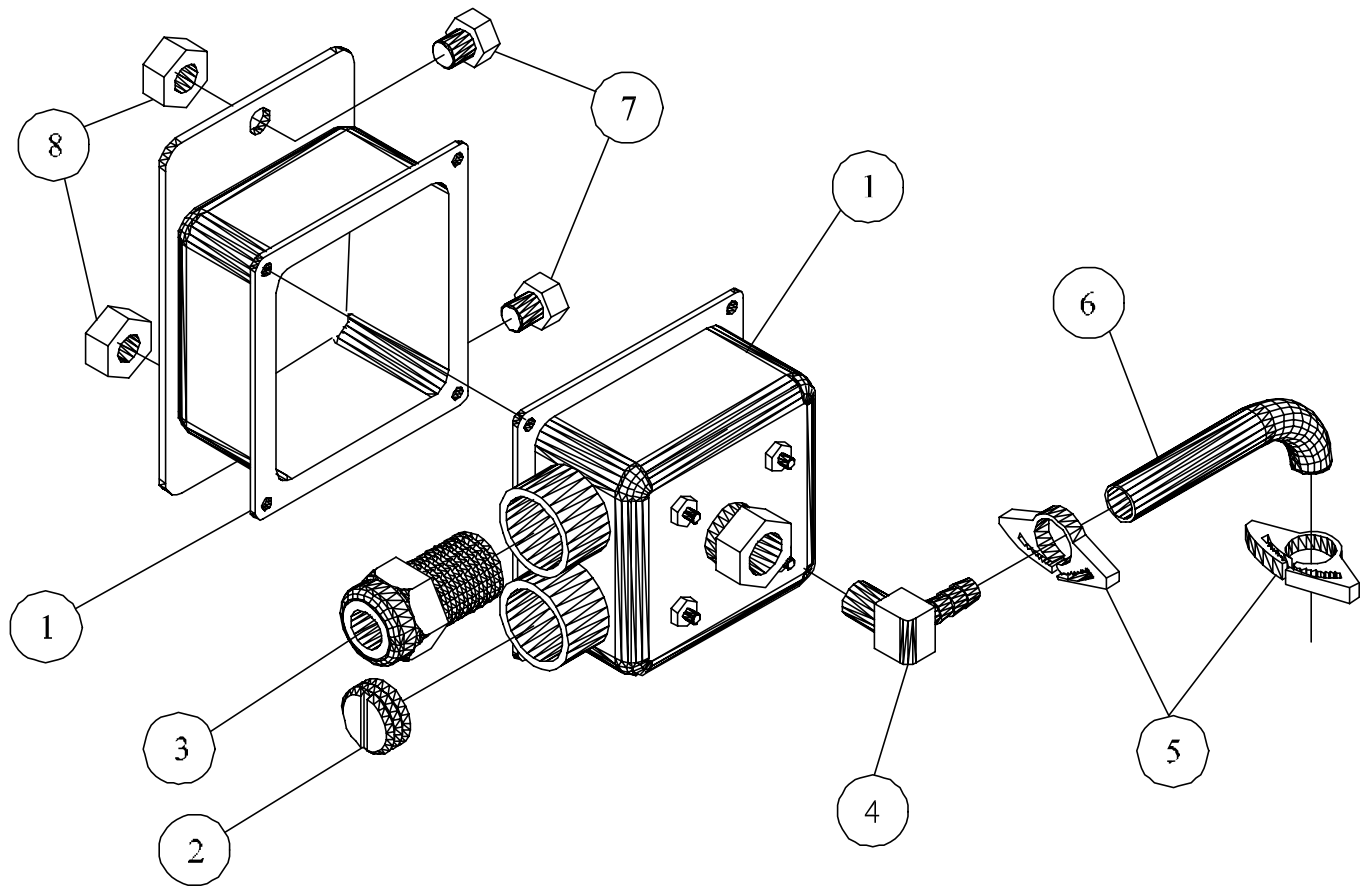
FIGURE 1-10 (NOZZLE, STEAM, COMBINATION, FITTING, 1550-C, ASSY)



ITEM NO.	QTY.	DESCRIPTION	PART NO.
1	1	VALVE, SOLENOID, SOLUTION, 24V, 1/4NPT	JD2162-F
2	1	BRACKET, MOUNTING, SOLUTION, SOLENOID	JD7760
3	1	BARB, HOSE, ELBOW, MALE, BRASS, 1/4HS X 1/4 NPT	JD7078
4	2	CLAMP, SLEEVE, PLASTIC, 3/8 I.D.	JD2759
5	1	TUBING, PVC, CLEAR, 3/8 O.D. X 1/4 I.D.	JD3087
6	1	BARB HOSE 1/4 HS X 1/4 NPT	JD2765
7	2	SCREW, SLF, DRL, HEX WASHER, PLTD, #10 X 5/8	JD7074-A
8	2	SCREW, MACHINE, PHILLIPS, ST, PL, 10-32 X 3/8	JD3234
9	2	WASHER, LOCK, SPLIT, STEEL, PLATED, #10	JD624
10	1	CONNECTOR, SOLENOID, RELIEF, STRAIN, DIN	JD7703

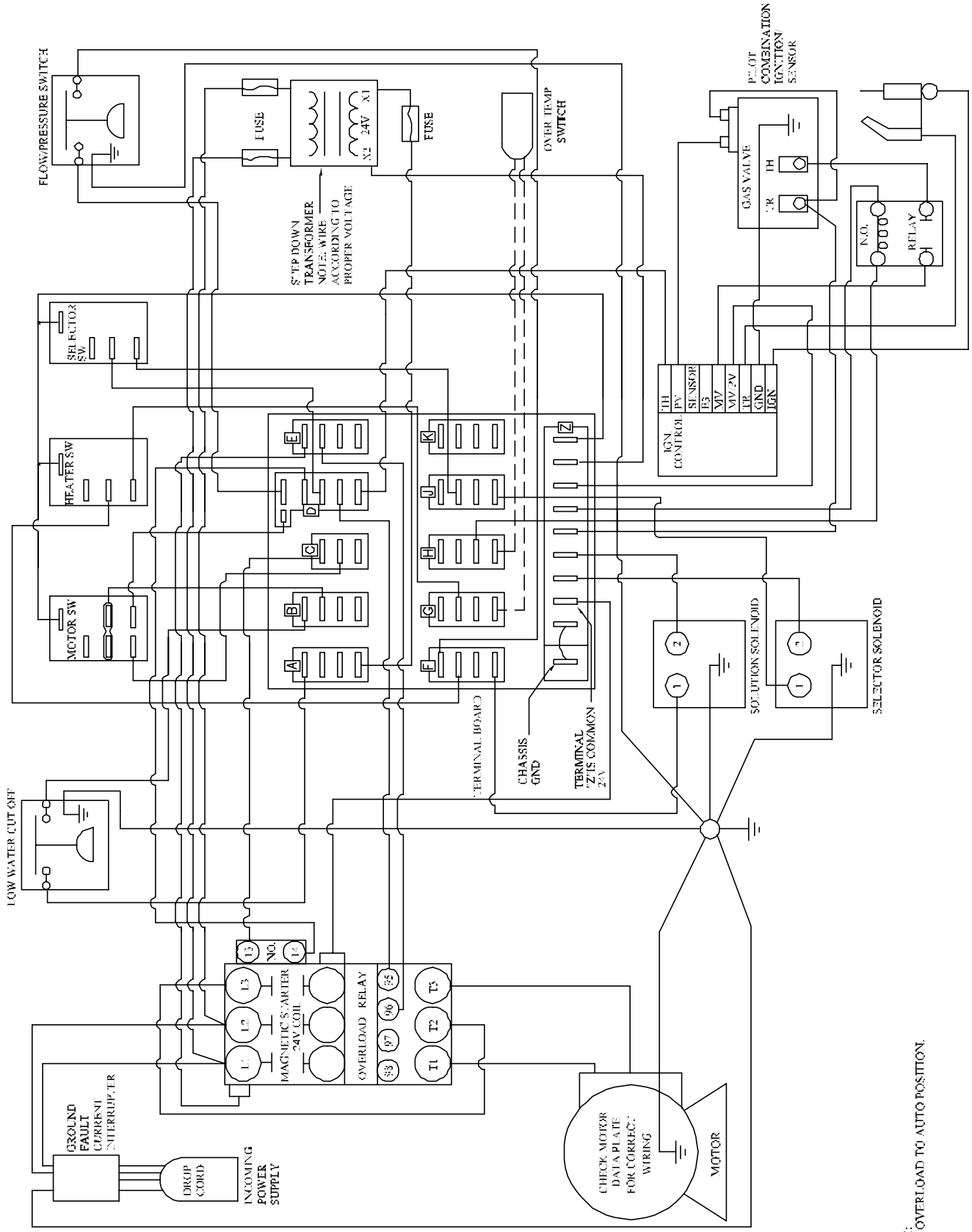
FIGURE 20-1 (VALVE, SOLUTION, SOLENOID, JD2162-F, ASSY)





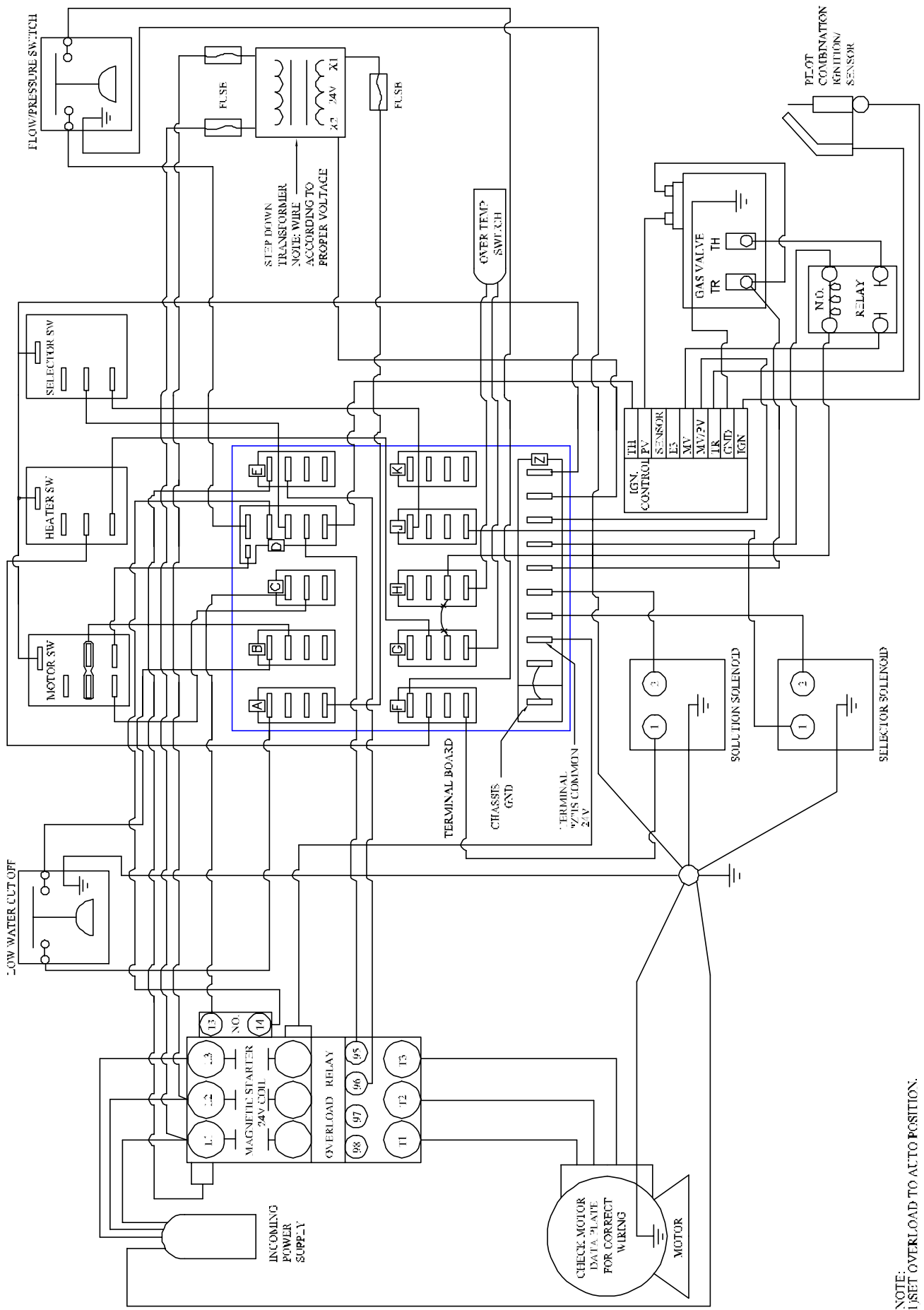
ITEM NO.	QTY.	DESCRIPTION	PART NO.
1	1	SWITCH, PRESSURE, W/BRACKET, WELDED ASSY	JP7731
2	1	PLUG, HOLE, BOX, JUNCTION, 1/2 NPS	JD7719
3	1	CONNECTOR, RELIEF, STRAIN, 1/4-3/8, 1/2NPM	JD1687-06
4	1	BARB, HOSE, ELBOW, MALE, BRASS, 1/4HS X 1/4NPT	JD7078
5	2	CLAMP, HOSE, NYLON, BLACK, .406/.468 DIA	JD-7859-A
6	1	TUBING, PVC, REINFORCED, 1/4ID	JD7850
7	2	SCREW, FLANGE, HEX, SERR,ST, PL, 1/4-20 X 1/2	JD7904-A
8	2	NUT, LOCK, FLANGE, HEX, SERR, ST, PL, 1/4-20	JD7774-D

FIGURE 20-2 (SWITCH, PRESSURE, W/BRACKET, WELDED, JD7731, ASS'Y)



NOTE:  
1. SET OVERLOAD TO AUTO POSITION.

File Name: Jw 303 Gas, Fired, Combination, W/Mom, On, 230/1Ph.  
(Electrical Schematic Diagram)



NOTE:  
USE SET OVERLOAD TO AUTO POSITION.

File Name: Jw 305 Gas, Fired, Combination, W/Mom. On, 3 Ph  
(Electrical Schematic Diagram)